

GROVE	BESCHILDERUNG ENGLISCH FAHRERHAUS MARKING ENGLISH DRIVERS CAB	BILDТАFEL PICTORIAL DISPLAY		GMK 5130 BE 760 G 840
		01.11	3153375-ETL B	

10

2

4

5

1

Special Types Use			
Manitowoc Crane Group Germany GmbH		Manitowoc <small>Crane Group</small>	
Tyre size			
STGO	Axle loads	Speed	Speed
The table gives the maximum permitted ...			

ATTENTION
Steerable only with running motor.

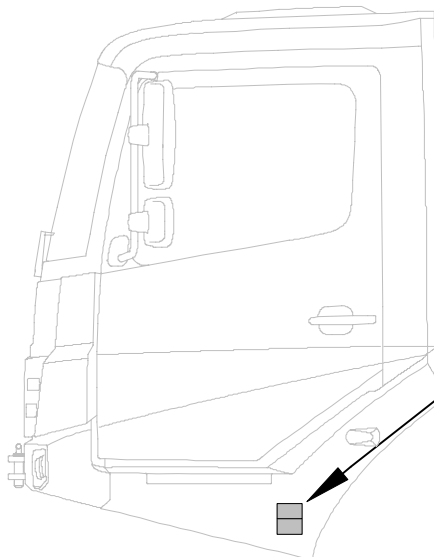
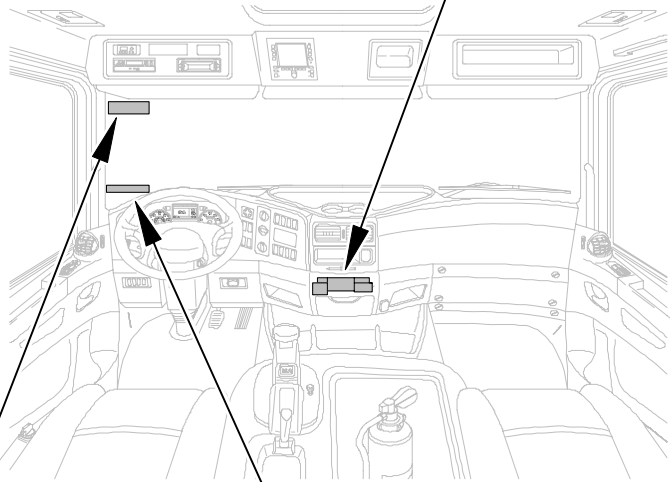
WARNING
BEFORE WELDING ON THIS CRANE

1. STOP ENGINE
2. ISOLATE BATTERY
3. DISCONNECT TWO TRANSDUCERS ON BOOM LIFT CYLINDER
4. REMOVE PLUG TRANSMISSION CONTROL ELECTRONICS
5. REMOVE EARTH CABLE FROM GENERATOR
6. CONNECT EARTH CABLE DURING WELDING WITHIN WELDING AREA (MAX 1m DISTANCE)

POSSIBLE DAMAGE MAY OTHERWISE OCCUR

SLOW SPEED OR STATIC STEERING ON JOB SITE IS RECOMMENDED ONLY WITH THE STEERING SYSTEM UNLOCKED

Attention
Wheel nuts and bolts are seated correctly after the first driven journey.
For this reason wheel nuts must be retightened.
Possible future complaints regarding loose wheel nuts can not be recognised.



9

Special Types Use	
Manitowoc Crane Group Germany GmbH	Manitowoc <small>Crane Group</small>
STGO category C, axle loads up to 16.500 [kg]	
max. gross vehicle weight is n x axle load, where n is no. of axes	
This table is only valid and may only be applied in ...	

10

Special Types Use	
Manitowoc Crane Group Germany GmbH	Manitowoc <small>Crane Group</small>
STGO category B, axle loads up to 12.500 [kg]	
max. gross vehicle weight is n x axle load, where n is no. of axes	
This table is only valid and may only be applied in ...	

MAX. HEIGHT 4,00 M

When leaving the crane cab, set the parking brake

8

3